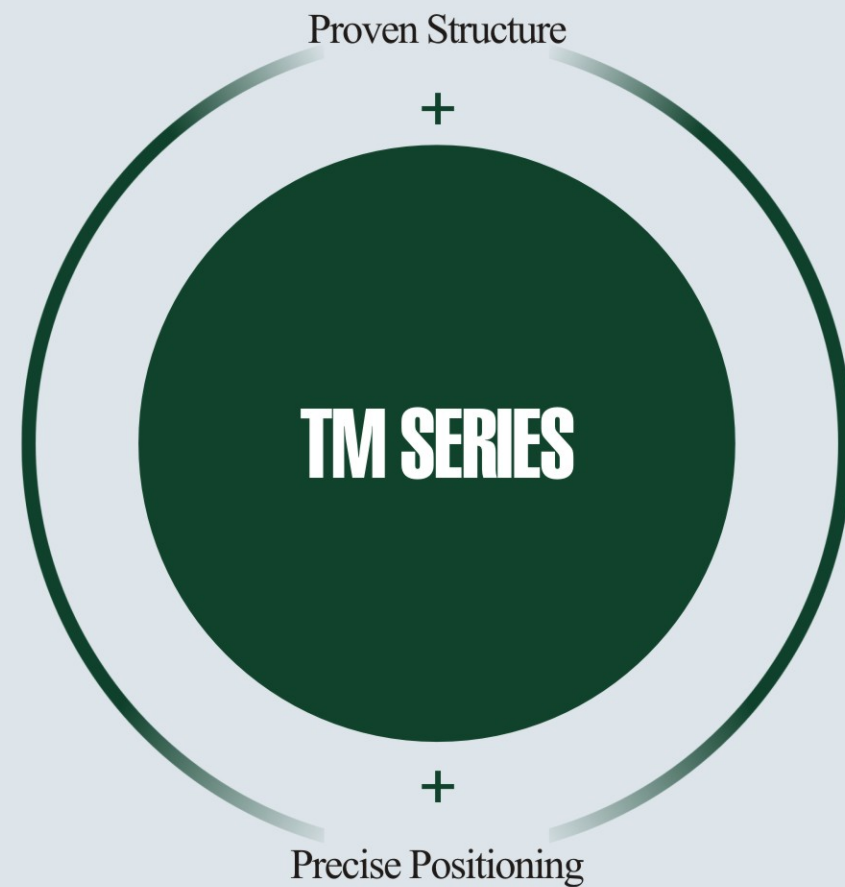


Hollow Rotating Platform

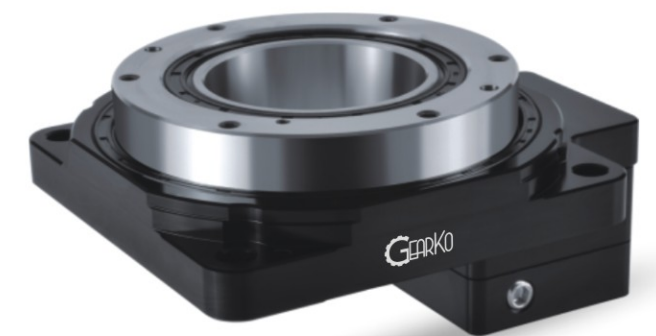


The hollow rotating platform can be driven by different brand servo motors with high precision. The operation is stable and the positioning is precision.

GEARKO

DRIVES

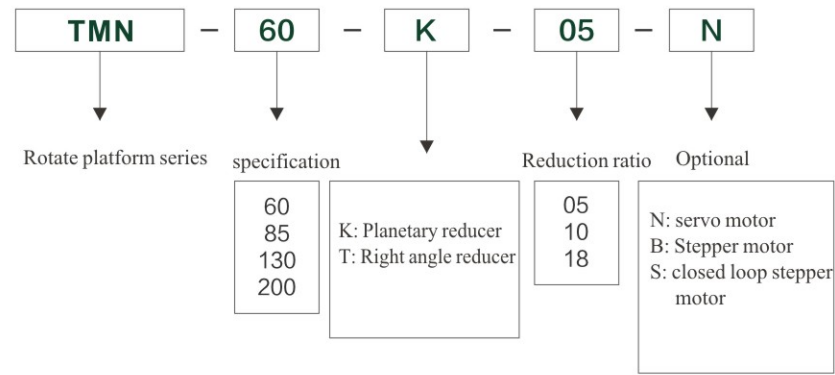
THE PRECISION



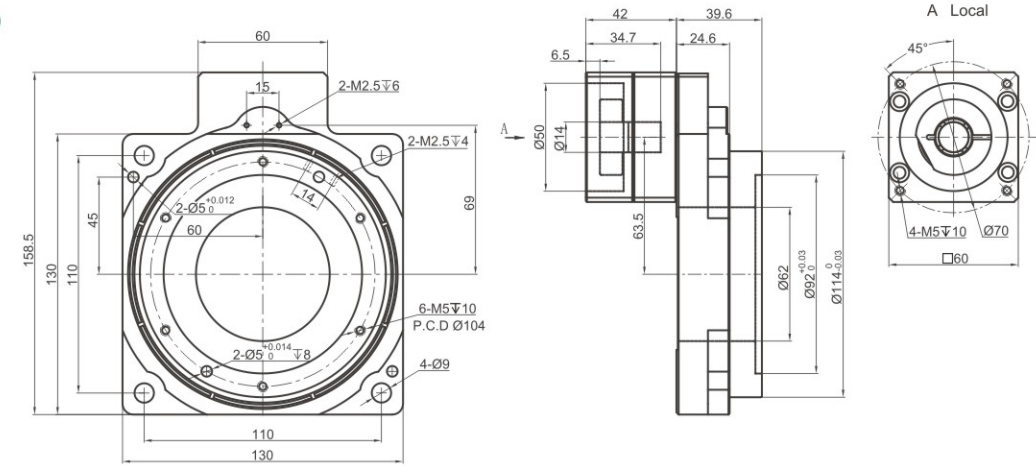
TMN - Hollow Rotary Actuators



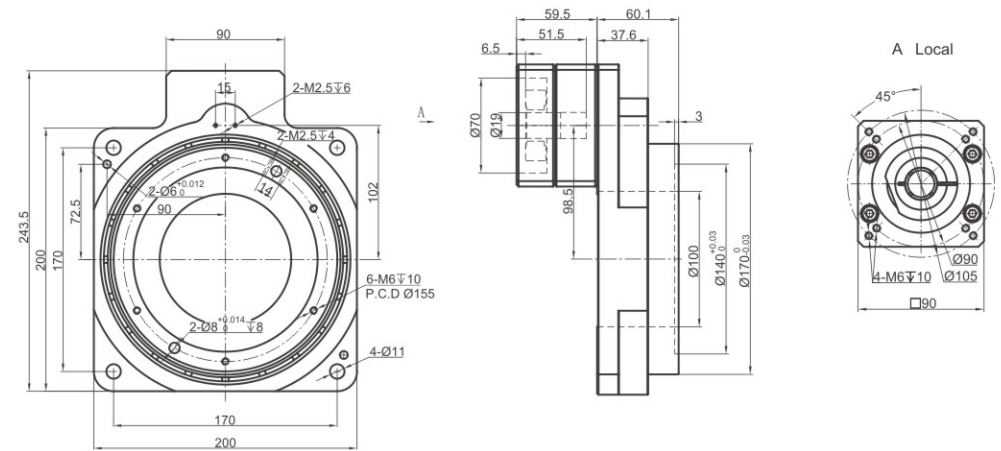
TMN Series



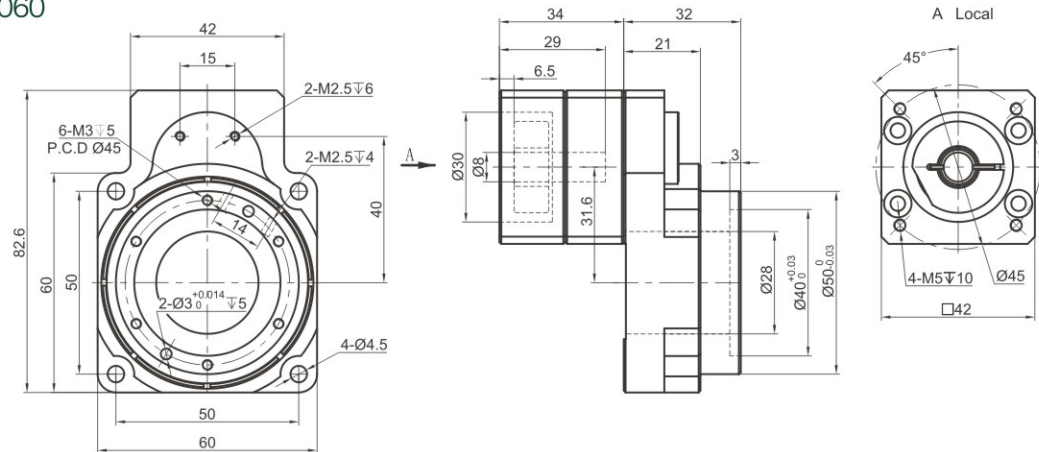
TMN130



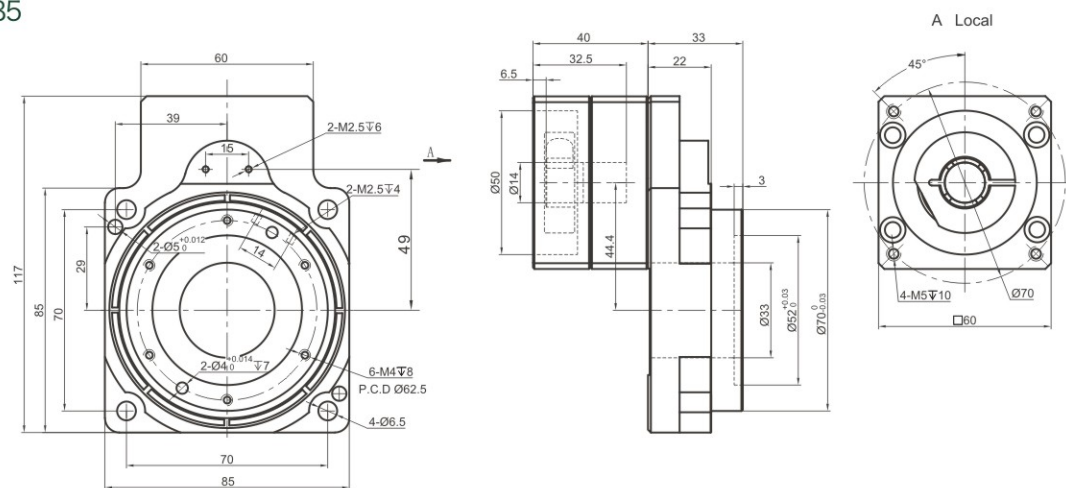
TMN200



TMN060



TMN085



	TMN60	TMN85	TMN130	TMN200
Speed Ratio	5 10	5 10	10 18	10 18
Matching servo motor	W	50~100	200~400	750
Bearing Type	Crossed roller bearing			
Allowable torque	N.m	53	20 16	32 20 65 50
Allowable disk output speed	rpm	200	300 250	250 150 250
Allowable axial load	N	250	500	2000 4000
Repeat positioning accuracy	arcsec	±10	±10	±10 ±10
Communication accuracy	arcmin	3	3	3 3
Flatness of rotating platform	mm	0.01	0.01	0.01 0.01
Outside diameter runout of output end	mm	0.01	0.01	0.01 0.01
Precision	h	20000	20000	20000 20000
Noise	dB	≤65	≤65	≤65 ≤65
Backlash	arcmin	≤1	≤1	≤1 ≤1
Protection Class		IP40	IP40	IP40 IP40
Weight	kg	1.2	1.8	2.5 8

The above technical parameters are for reference only. Actually, according to the data provided by the customer, relevant technical parameters and dimensions will be issued. Origin Sensor Kit: TMN Series with OMRON EE-SX674